

FP4Y

YOKE FOR FLEXPOINT FP4

Features

- Touring and installation yoke mount
- Stand mount when used in conjunction with a pole mount adaptor ASF20045
- Truss mount when used with a half-coupler
- Quick deployment with no tools required.
- Close proximity mounting

Applications

- Touring flown FLEXPOINT FP4
- Touring Pole mounted FLEXPOINT FP4

Contents

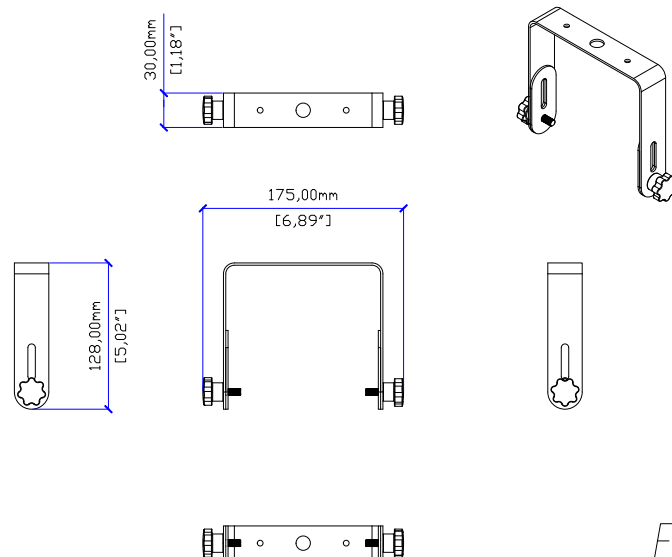
- 1 x FP4Y-B yoke



Technical Specifications

Weight: TBC

Material: Weatherised Polyester Powder coated steel



FP4Y